

Scaffolding

Product catalogue



Aces Group is India's leading supplier of formwork, falsework and scaffolding to the construction and civil engineering industries. **Aces Group** not only manufactures, hires and sells world-class products, but also provides the design skills, technical advice and support.

Ace scaffolding is a unit of Aces Group.

Disclaimer

Copyright in this catalogue vests in Aces Group, to the making of copies in whole or in part without the prior written consent of Aces Group.

While every effort has been made to ensure the accuracy of the information in this catalogue, we cannot accept responsibility for any error which may occur as a result of reliance on the content of this catalogue and are not liable for any loss of any nature that may be incurred as a result of such reliance.

Details of any of the products may change without prior notice.

Note: The colours used in this document are for illustrative purposes only and may differ on actual product.

Contents

Overview

General Assembly

Kwik-Stage components

Coffers & Troughs

Coffers & Troughs on Kwik-Strip

Props

Kwik-Deck components

Coffers on Kwik-Deck

Coffers on Kwik-Deck on BS Props

Coffers on Kwik-Deck on Alu-up Props

Coffers on Kwik-Strip on Kwik-Stage

Coffers & Troughs

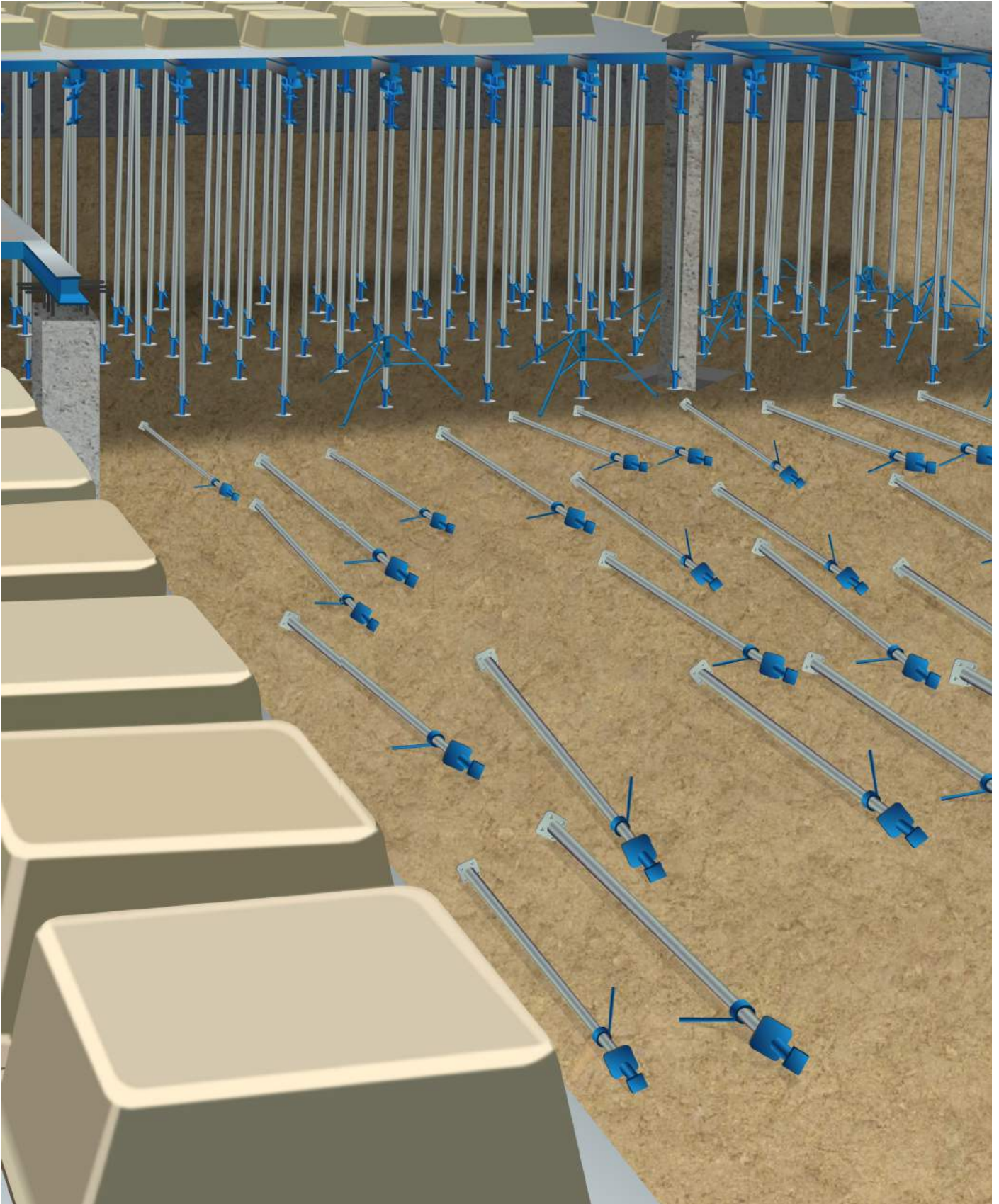
Aces Group Coffer system is used to produce concrete slabs with a waffled soffit finish. The ribs between the Coffers are reinforced and acts as down stand concrete beams to produce a two way spanning concrete slabs.

Aces Group Trough system is used to produce a one way spanning concrete slabs with a multiple inverted gutter shaped soffit finish. The ribs between the Troughs are reinforced to act as down stand concrete beams.

System features

- Quick and easy to install and remove
- Lightweight and easy to handle
- Regular shape ensures ease of erection
- Versatile height and width configurations
- Stacking by “nesting” saves space on site and reduces transport cost
- Reduction in concrete and reinforcing steel
- Offers a fair faced concrete finish

General Assembly



Base Jacks

Base jacks are inserted into the ends of Kwik-Stage Standards to provide the required vertical height adjustment of the Kwik-Stage Standards and to secure the Kwik-Deck Drop Heads in position.

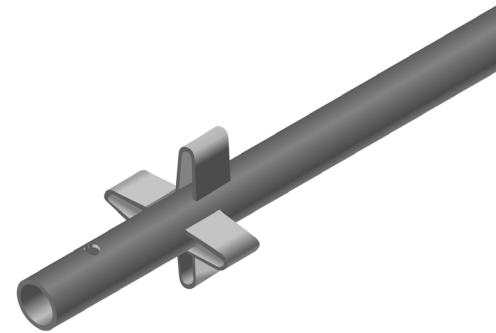


Code	Description
AG 9000	457 R/O Base Jack
AG 9003	610 R/O Base Jack
AG 9006	610 R/O BT Base Jack

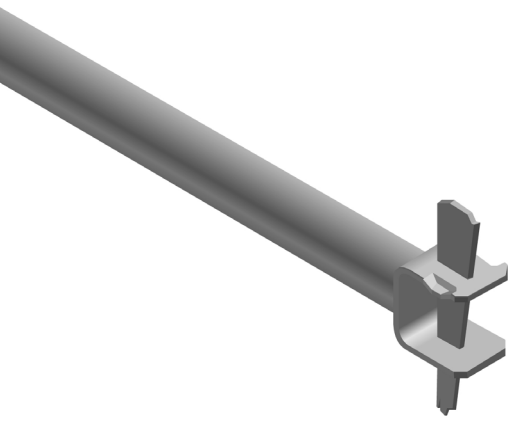
Kwik-Stage Standards

Kwik-Stage Standards are used to form the vertical supports of bearers, formwork and access.

Code	Description
AG 9009	Kwik-Stage Standard 3000
AG 9012	Kwik-Stage Standard 2500
AG 9015	Kwik-Stage Standard 2000
AG 9018	Kwik-Stage Standard 1500
AG 9021	Kwik-Stage Standard 1000
AG 9024	Kwik-Stage Standard 500



Kwik-Stage



Kwik-Stage Ledgers

Kwik-Stage Ledgers are horizontal members used to keep the Kwik-Stage Standards in the vertical position.

Code	Description
AG 9027	Kwik-Stage Ledger 2500
AG 9030	Kwik-Stage Ledger 2000
AG 9033	Kwik-Stage Ledger 1800
AG 9036	Kwik-Stage Ledger 1600
AG 9039	Kwik-Stage Ledger 1500
AG 9042	Kwik-Stage Ledger 1294
AG 9045	Kwik-Stage Ledger 1000
AG 9048	Kwik-Stage Ledger 925
AG 9051	Kwik-Stage Ledger 900
AG 9054	Kwik-Stage Ledger 600

Double Headed Jacks

Kwik-Strip Double Headed Jacks are inserted into the top end of Standards to secure the Kwik-Strip Beams in position.

Code	Description
AG 9057	Kwik-Strip D/H Jack 610 Non-Tilt



Cuplock System

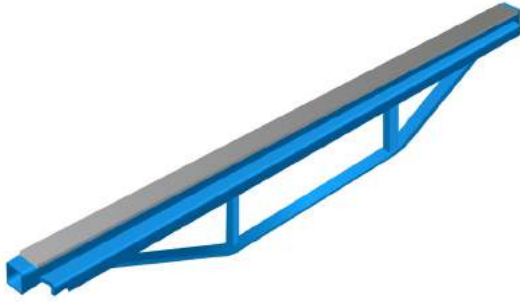
Standards/Verticals

Code	Description
AG 9060	Access Standards (Spigotted)
	3.0m
	2.0m
	1.0m
	Support Standards (Open Ended)
	3.0m
	2.5m
	2.3m
	2.0m
	1.8m
	1.5m
	1.3m
	1.0m



Ledgers/Horizontal

Code	Description
AG 9063	2.50m
	2.00m
	1.80m
	1.60m
	1.30m
	1.20m
	0.90m
	0.60m



Kwik-Strip Beams

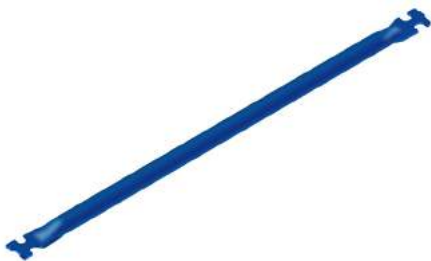
Kwik-Strip Beams support the Deck-panels, Coffers & Troughs.

Code	Description
AG 9066	Kwik-Strip 2500 coined Beam
AG 9069	Kwik-Strip 2000 coined Beam
AG 9072	Kwik-Strip 1500 coined Beam
AG 9075	Kwik-Strip 1000 coined Beam
AG 9078	Kwik-Strip 900 coined Beam

Deck Panels

Deck Panels are used to form the Soffits of concrete slabs and are supported on the Kwik-Strip Beams.

Code	Description
AG 9081	Decking Panel 825 x 450 x 2.5
AG 9084	Decking Panel 825 x 300 x 2.5
AG 9087	Decking Panel 825 x 150 x 2.5
AG 9090	Decking Panel 825 x 100 x 2.5



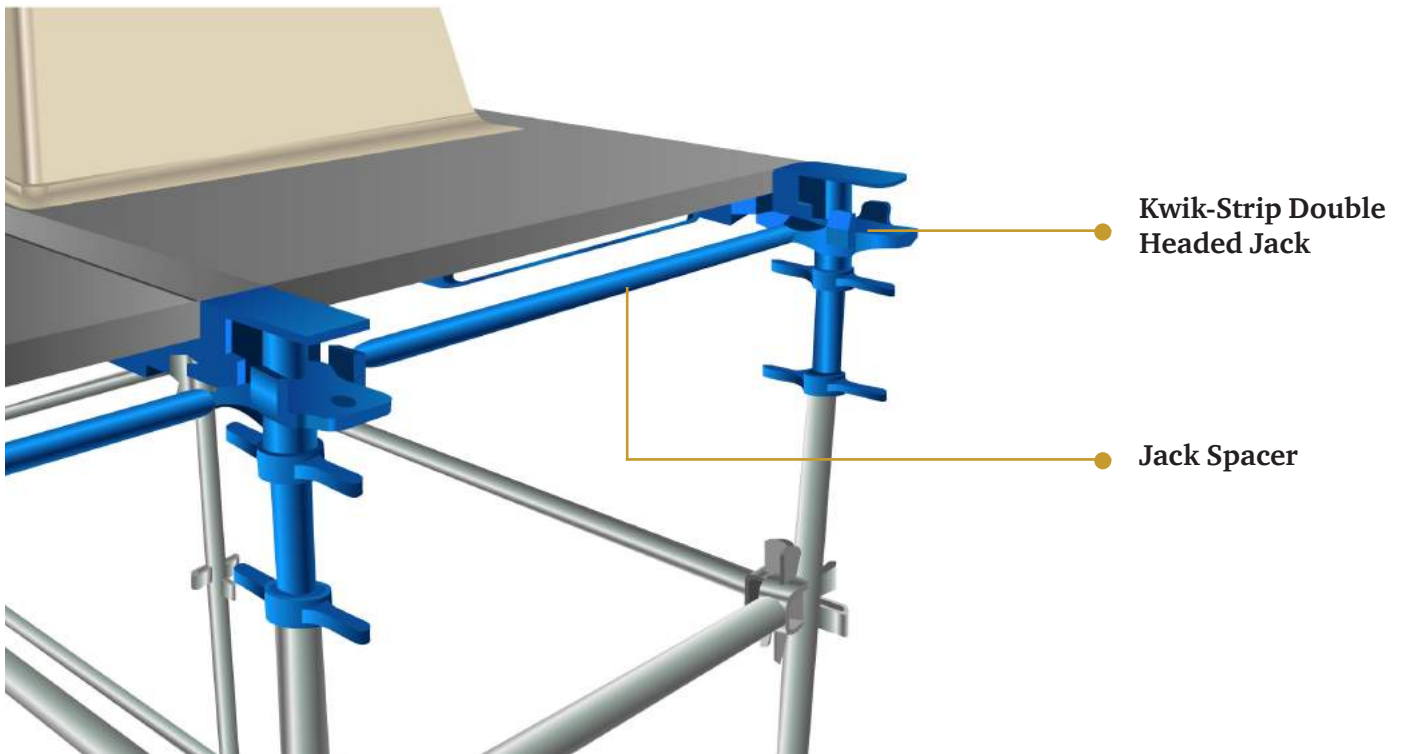
Jack Spacers

Jack Spacers lace the Double Headed Jacks together.

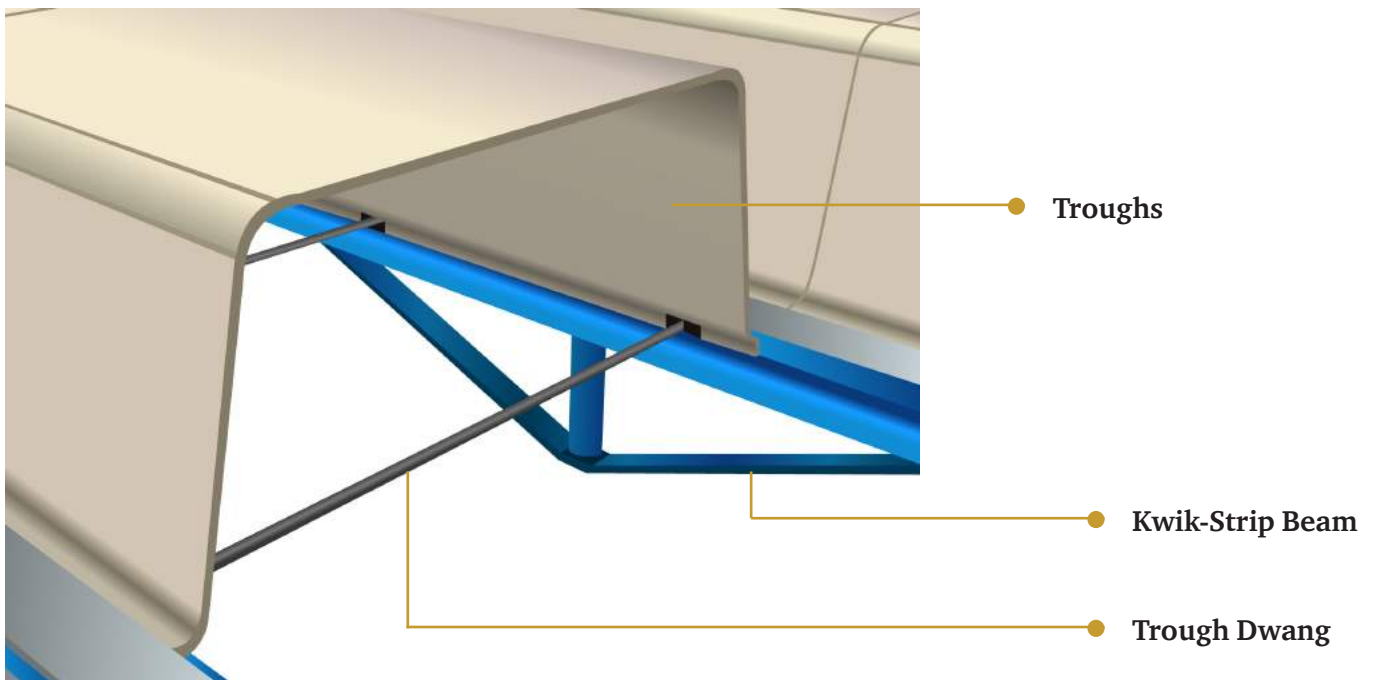
Code	Description
AG 9093	Kwik-Strip Jack Spacer 900 (Tubular)

Kwik-Strip

Application- Jack Spacer



Application- Dwangs

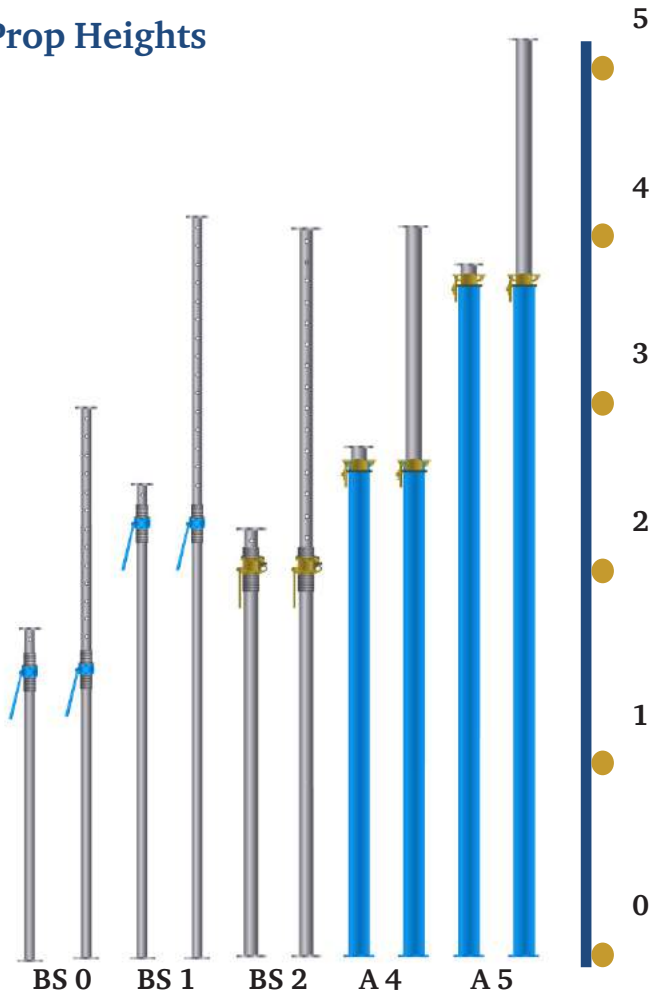


BS Props

BS Props are used for support work up to a propping height of 400mm.

Code	Description
AG 9181	BS-0 Prop inner
AG 9184	BS-1 Prop outer
AG 9187	BS-1 Prop inner
AG 9190	BS-1 Prop outer
AG 9193	BS-2 Complete

Prop Heights



Alu-up Props

Alu-up Props are used for support work to a propping height of 500mm (Single Prop).

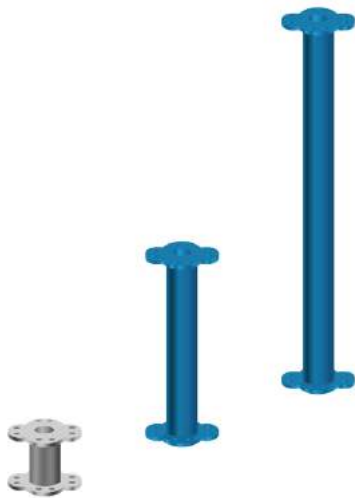
Code	Description
AG 9196	Alu-Up 4 Prop
AG 9199	Alu-Up 5 Prop



Props

Alu-Up Prop Stubs and Extentions

Alu-up Prop Extentions are used to extend the propping height in small increments. The Stubs are bolted to the bottom of all Props as a protection piece.

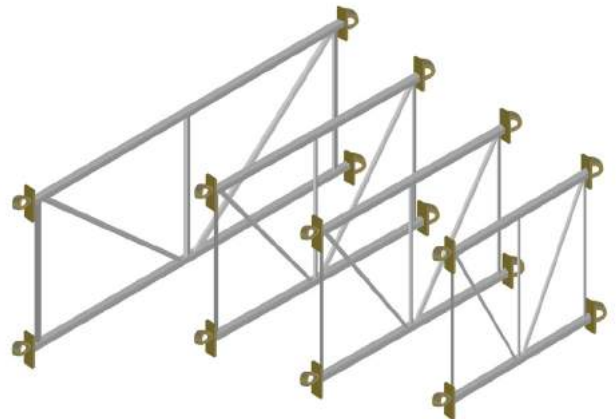


Code	Description
AG 9202	Alu-up Stub 150mm
AG 9205	Alu-up Extention 500mm
AG 9208	Alu-up Extention 1000mm

Alu-Up Trusses

Alu-up Trusses are used to create towers and brace the Alu-up Props. It further enhances the stability and loading capacity of the props

Code	Description
AG 9211	Alu-up Truss 2500
AG 9214	Alu-up Truss 1800
AG 9217	Alu-up Truss 1600
AG 9220	Alu-up Truss 1294



BS Prop Tri-pod

BS Prop Tri-pods are used to keep unlaced props in the vertical position.

Code	Description
AG 9223	BS Prop Tri-pod

Alu-up Tri-pod

Alu-up Tri-pods are used to keep un-laced Alu-up props in the vertical position.

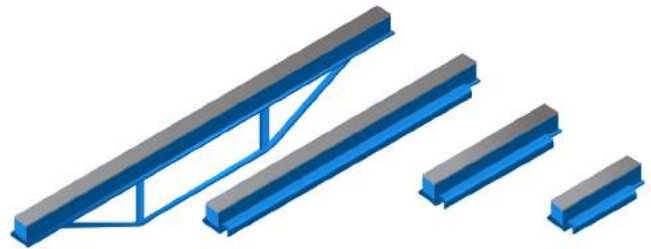
Code	Description
AG 9225	Alu-up Tri-pod



Kwik-Deck Beams

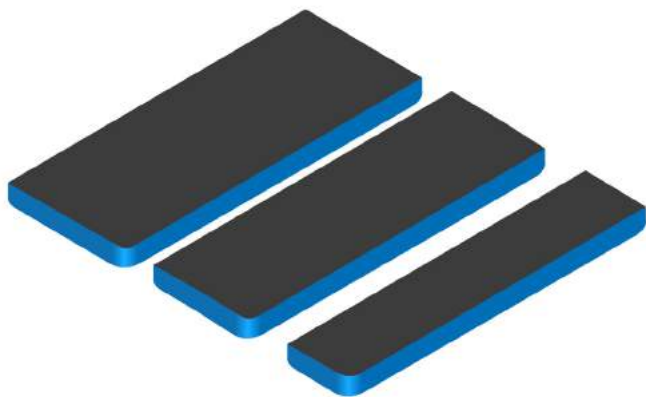
Kwik-Deck Beams are used to support the Kwik-Deck Panels & Coffers Support Beams.

Code	Description
AG 9228	Kwik-Deck Beam 600
AG 9231	Kwik-Deck Beam 900
AG 9234	Kwik-Deck Beam 1800
AG 9237	Kwik-Deck Beam 2500



Kwik-Deck Panels

Kwik-Deck Panels are used to support the concrete slab thickening between the Coffers.

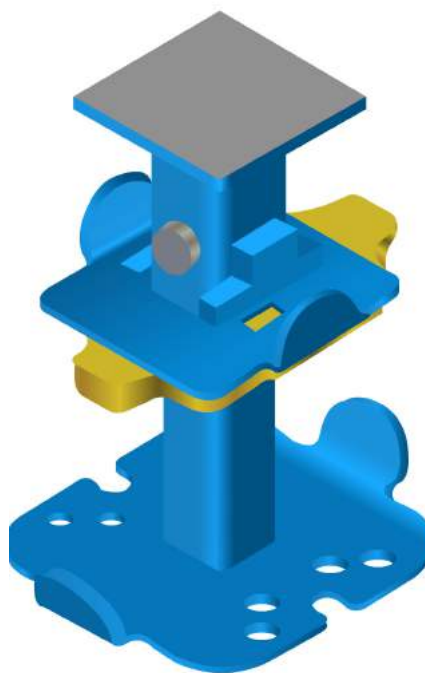


Code	Description
AG 9240	Kwik-Deck Panel 1500 x 600
AG 9243	Kwik-Deck Panel 1500 x 300
AG 9246	Kwik-Deck Panel 1500 x 150
AG 9249	Kwik-Deck Panel 1194 x 600
AG 9251	Kwik-Deck Panel 1194 x 300
AG 9254	Kwik-Deck Panel 1194 x 150
AG 9257	Kwik-Deck Panel 800 x 600
AG 9260	Kwik-Deck Panel 800 x 300
AG 9263	Kwik-Deck Panel 800 x 150

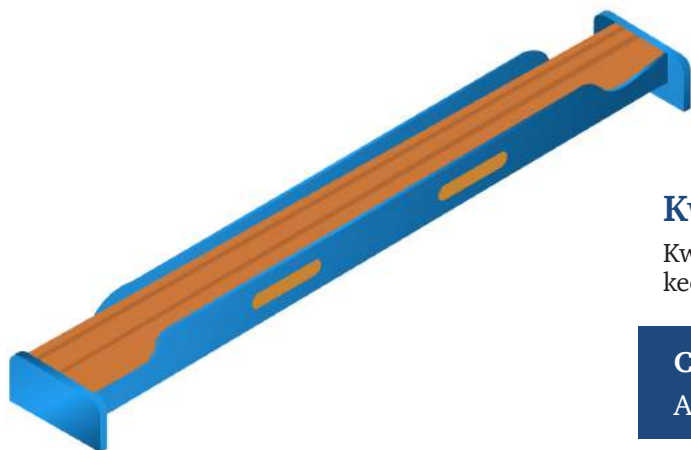
Kwik-Deck

Kwik-Deck Drop Head

The Kwik-Deck Drop Heads are bolted to the top ends of props or BT Base Jacks to secure the Kwik-Deck Beams in position.



Code	Description
AG 9266	Kwik-Deck Drop Head



Kwik-Deck Coffers Support Beam

Kwik-Deck Coffers Support Beam are used to keep support and keep Coffers in position.

Code	Description
AG 9269	Kwik-Deck Coffers Support Beam

Kwik-Deck



Web: www.acesgroups.com | Consult Now: +230 5827 5795 | E-mail: info@acesgroups.com

Contact

Paramjit Singh Wason
PricewaterhouseCoopers Pvt Ltd.
Bulidig 8 Tower B, DLF Cyer City
Gurgaon 122002

Anmol Singh Wason
PricewaterhouseCoopers Pvt Ltd.
Bulidig 8 Tower B, DLF Cyer City
Gurgaon 122002

